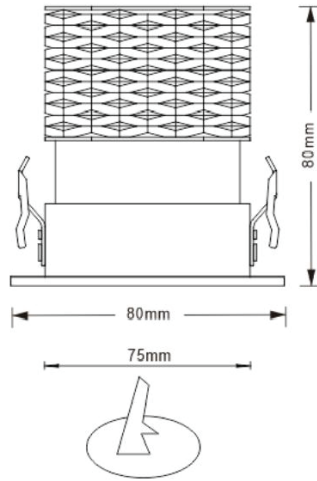


SPOT LIGHT
TECHNICAL SHEET
AZ-1004-12

DRAWING



SPECIFICATIONS

Product Code	AZ-1004-12
Power	12W
Input	220-240V
Color Temperature	3000k-4000k-6000k
Chip	Bridgelux
Driver	Eaglerise
Beam Angle	10°/15°/24°/36°/55°
Power Factor	0.5/0.9
CRI	90
Working Lifetime	30000 H
Working Temperature	-20 ~ 45 °C
Storage Temperature	-20 ~ 50 °C
Color	Gold/Black/White/...
Cut-Out	ø70mm
Dimensions	ø80mm*H80mm
Material	Aluminum
IP Rating	IP 20
Warranty	3 Years